

2008
BMW M5 Sedan

2007
BMW M6 Coupe
BMW M6 Convertible



The Ultimate
Driving Machine®





BMW M engineers: masters of increasing muscle – without steroids.





A 500-horsepower
understatement.



You cannot sit in the driver's seat of the M5 without a feeling of awe. This is more than a car; it's your partner in high performance. Aluminum-ringed gauges convey data quickly; perfectly placed controls receive and execute your commands in an instant. All essential functions are placed within reach, on and around the thick M multi-function steering wheel where you would instinctively reach for them. To help you keep your eyes on the road, an optional M5 Head-up Display projects important data onto the windshield, along your line of vision.

Restyled for model year 2008, the M5 interior is more luxurious than ever. Elegant curves rendered in leather flow back from the dash, and are carried across the doors to the rear compartment. The sleek, leather-covered center console¹ is also restyled for greater versatility. The sculpted dash integrates gauges and the Navigation system screen, while dual cowls shield them from sunlight for enhanced legibility. Primary climate and audio controls, now gleaming with Silver Titanium trim, are conveniently set into the clean sweep of the center dash; non-driving functions can easily be accessed and modified via the redesigned iDrive Controller. Six programmable memory keys give you quick access to your favorite radio stations, Navigation addresses and phone numbers² with just a touch. The result is an environment that frees you to concentrate on the job at hand: the sheer thrill of driving the M5.

¹ With optional Full Merino Leather upholstery.

² If so equipped.

Equipment of model shown:	
Upholstery:	Silverstone II Merino Leather (Full)
Interior trim:	Brushed Aluminum Shadow
Optional equipment:	Navigation system



M-style performance – optimized in every detail.

- 1 M side gills.
- 2 Front air dam with three air intake scoops.
- 3 M side-view mirror enhances aerodynamics.
- 4 Two dual chrome-plated stainless-steel tailpipes, diffuser and M rear spoiler
- 5 19" M Radial Spoke (Style 166M) light cast alloy wheels.¹

¹Due to low-profile tires, please note: wheels, tires and suspension parts are more susceptible to road hazard and consequential damages. Performance tires not recommended for driving in ice and snow.



- 1 Door-sill trim with M5 logo.
 - 2 Optional M-style Head-up Display.
 - 3 Optional 6-speed manual transmission.
 - 4 Optional 20-way multi-function front seats.
 - 5 20-way multi-function front seats with Perforated Merino Leather.¹
- ¹Requires optional Ventilated Seat feature.





Drivers cannot live
on speed alone.





The luxurious interior of the M6 Convertible caters to the dual nature of every serious driver – the need to be in control, and the desire to be pampered.

For the driver and the front-seat passenger, the M6 Convertible's 16-way power sport seats are bolstered to hold you tight through any curve-hugging driving maneuver. Upholstered in true M fashion with stylish Merino Leather and race-inspired trim, the M sport seats also offer the comfort of three-stage heating and four-way lumbar support.

The M sport multi-function steering wheel, leather-wrapped and supple to the touch, is also outfitted with BMW's SMG paddle shifters for Formula 1-inspired shifting. The optional Head-up Display projects vital driving information as an unobtrusive, yet easy-to-read image above the driver's-side dash. And the Navigation system gives you extensive traffic information, detailed maps and driving directions.

M Drive, a part of BMW's innovative iDrive Navigation and control system, lets you set and then save your ideal driving preferences, all at the touch of a button. Parameters for SMG programs, Electronic Damping Control (EDC) settings, Dynamic Stability Control (DSC) mode, engine response and more can be "memorized," and then instantly recalled at any time.

Trim options include choice wood grains and dashing modern elements like carbon fiber. M Car badging on the door sills brings powerful elegance to the cockpit. The Logic7 audio system delivers premium, crystal-clear, 13-speaker sound with CD, AM/FM, MP3 and optional SIRIUS Satellite Radio capabilities. Enjoy this extraordinary audio system even more with optional HD Radio,™ which receives free, digital AM/FM broadcasts across the U.S. in clear, static-free quality sound – AM sounds like FM; FM sounds like CD. Also enjoy new "multicast" FM stations, as well as a variety of innovative data services. In every sense, the M6 Convertible surrounds its occupants in functional, flawless luxury.



1



2



3



4



5

- 1 Door-sill trim with illuminated M6 logo.
- 2 Instrument panel dashboard in optional Full Merino Leather.
- 3 Illuminated SMG selector lever.
- 4 Information Display with white illuminated surrounds on the speedometer and tachometer and red instrument needles.
- 5 Optional M-style Head-up Display.



- 1 Aerodynamic low-profile M6 Convertible softtop available in black or gray.
- 2 Characteristic M Car dual chrome-plated stainless-steel tailpipes.
- 3 White turn signal indicators incorporated into the M side gills.
- 4 M auto-dimming side-view exterior mirrors with power fold-up feature.
- 5 Lightweight M6 carbon-fiber roof is four times lighter than steel.¹
- 6 19" M Radial Spoke (Style 167M) light cast alloy wheels.²

¹Available in M6 Coupe only.

²Due to low-profile tires, please note: wheels, tires and suspension parts are more susceptible to road hazard and consequential damages. Performance tires not recommended for driving in ice and snow.



Combinations

Interior colors	Merino Leather (Extended) ¹			Perforated Merino Leather (Full) ^{2,3}			Merino Leather (Full) ^{3,4}				
	Silverstone II	Sepang	Black	Silverstone II	Sepang	Black	Silverstone II	Sepang	Portland Brown	Indianapolis Red	Black
Upholstery color											
Exterior paint colors⁵											
300 Alpine White Non-metallic		•	•	•	•	•	•			•	•
A29 Silverstone Silver Metallic		•		•	•	•	•			•	•
A08 Silver Gray Metallic ⁶		•		•	•	•	•			•	•
A52 Space Gray Metallic ⁷		•		•			•			•	•
440 Stratus Gray Metallic ⁶		•		•			•			•	•
A32 Sepang Bronze Metallic			•	•		•		•	•		•
A31 Indianapolis Red Metallic				•		•				•	•
A30 Interlagos Blue Metallic		•		•	•	•	•				•
A35 Monaco Blue Metallic		•		•			•				•
475 Black Sapphire Metallic		•	•	•	•	•	•	•	•	•	•
Interior trim											
737 Brushed Aluminium Shadow ⁷											
4MC Carbon Fiber Black ⁸											
4ME Walnut Madeira Wood ⁹											
4MK Olive Ash Wood ¹⁰											

Please note: The optional M5 multi-function front seats with Perforated Merino Leather are upholstered in the same color leather, front and back. The backs of all other seats are upholstered in Black Leather.

¹ Merino Leather (Extended): Standard in the M5 and M6; includes Anthracite Cloth headliner and side pillars.

² Perforated Merino Leather (Full): Optional in the M5; requires optional Ventilated Seats feature and optional multi-function front seats with Active width-adjustment feature. Not available in the M6.

³ Optional Full Leather includes leather-covered instrument panel, center console and door panels, and Anthracite Alcantara roofliner. Anthracite Alcantara roofliner not available in the M6 Convertible.

⁴ Merino Leather (Full): Optional in the M5 and M6.

⁵ All exterior paint colors are standard (if available) on the M5 and M6.

⁶ Silver Gray Metallic and Stratus Gray Metallic paints: Available on the M6; not available on the M5.

⁷ Space Gray Metallic paint and Brushed Aluminium Shadow trim: Available on the M5; not available on the M6.

⁸ Carbon Fiber Black trim: Optional in the M6; not available in the M5.

⁹ Walnut Madeira Wood trim: Standard in the M6; no-cost option in the M5.

¹⁰ Olive Ash Wood trim: No-cost option in the M5 and M6.

M6 Convertible softtop colors

388 Black (standard)

389 Gray (optional)

Please note: Either softtop can be selected with any color combination.

Performance and efficiency	M5 Sedan	M6 Coupe	M6 Convertible
5.0-liter, 40-valve V-10 engine with M high-pressure Double-VANOS “steplessly” variable valve timing	●	●	●
10 individual throttle butterflies, electronically controlled	●	●	●
G-sensitive semi-dry-sump lubrication system	●	●	●
Oil coolant heat exchanger	●	●	●
Digital Motor Electronics (DME) with on-board diagnostics	●	●	●
3-way catalytic converter with heated oxygen sensor	●	●	●
7-speed Sequential Manual Gearbox (SMG) with DRIVELOGIC	●	●	●
6-speed manual transmission ¹	○	○	○

Handling, ride and braking	M5 Sedan	M6 Coupe	M6 Convertible
Dynamic Stability Control (DSC) with M Dynamic Mode (MDM)	● ²	●	●
All Season Traction with M Variable Differential Lock	●	●	●
Vehicle-speed-sensitive variable-assist power steering (M Servotronic) with M Driving Dynamics Control (2 settings – throttle and steering)	●	●	●
Aluminum double-pivot strut-type front suspension and 4-link integral rear suspension	●	●	●
Independent suspension with M calibration (stiffened dampers, springs and anti-roll bars; modified rear axle geometry)	●	●	●
Electronic Damping Control with Comfort, Normal and Sport mode	●	●	●
Lightweight, double-joint spring strut front axle with aluminum crossbar	●	●	●
Lightweight integral rear axle	●	●	●
4-wheel BMW M vacuum-assisted ventilated, cross-drilled anti-lock compound disc brakes (ABS)	●	●	●

Interior seating and trim ³	M5 Sedan	M6 Coupe	M6 Convertible
18-way power-adjustable BMW M sport front seats, including adjustable seatback side bolsters, headrests, 4-way lumbar and 2-way thigh support, and 2-setting memory system for both front seats	●		
14-way power-adjustable BMW M sport front seats, including adjustable seatback side bolsters and 4-way lumbar support; 2-way manual thigh support and adjustable headrests; and 3-setting driver's-seat memory system		●	
14-way power-adjustable BMW M sport front seats, including power adjustable headrests and 4-way lumbar support; 2-way manual thigh support; and 3-setting driver's-seat memory system			●
20-way multi-function front seats with active width adjustment (upholstered in the same color leather, front and back)	○		
Merino Leather upholstery (Extended)	●	●	●
Merino Leather upholstery (Full)	○	○	○
Perforated Merino Leather upholstery (Full) (requires optional Ventilated Seats feature and optional multi-function front seats)	○		
Front and rear center armrests	●		
Adjustable front center armrest		●	●
M-badged door sills	●	●	●

- Standard
- Optional

¹ Steering wheel paddles and DRIVELOGIC center console DSC button are not available with optional manual transmission.

² Optional 6-speed manual transmission does not allow complete disengagement of DSC.

³ See Combinations chart on preceding page for requirements on ordering upholstery, seats and trim.

Exterior	M5 Sedan	M6 Coupe	M6 Convertible
M Radial Spoke (Style 166M) light cast alloy wheels, 19 x 8.5 front/19 x 9.5 rear, with 255/40ZR-19 front, 285/35ZR-19 rear performance tires ⁴	●		
M Radial Spoke (Style 167M) light cast alloy wheels, 19 x 8.5 front/19 x 9.5 rear, with 255/40ZR-19 front, 285/35ZR-19 rear performance tires ⁴		●	●
Tire Pressure Monitor system	●	●	●
BMW M front spoiler, rear apron/air diffuser	●	●	●
M rear spoiler	●		
Wraparound body-color bumpers with hydraulic energy absorbers and front-compressible elements	●	●	●
Xenon Adaptive Headlights with dynamic auto-leveling feature and individual illuminating rings on all 4 headlights	●	●	●
Side-view mirrors with electrochromic auto-dimming, power fold-up feature and automatic tilt-down of passenger's side-view mirror when vehicle is shifted into reverse gear	●	●	●
Heated side-view mirrors, windshield washer jets and door locks	●	●	●
Rain-sensing windshield wipers with Automatic headlight control and headlight washing system	●	●	●
Park Distance Control with front and rear sensors	●	●	●
Twin-chamber exhaust system with twin dual chrome-plated tailpipes	●	●	●
Choice of standard or metallic paint	●	●	●

Audio system	M5 Sedan	M6 Coupe	M6 Convertible
Logic7 Surround Sound anti-theft AM/FM stereo CD audio system with MP3 capabilities, 13 upgraded speakers (including 2 subwoofers), Digital Sound Processing (DSP), Radio Data System (RDS), Auto-Store and 3-channel FM diversity antenna	●	●	●
Premium Sound audio system with enhanced bass	○	○	○
HD Radio™ can be ordered in combination with Logic7 or Premium Sound audio system	○	○	○
SIRIUS® Satellite Radio ⁵	○	○	○
iPod and USB adaptor (includes cable connector)	○	○	○

⁴ Due to low-profile tires, please note: wheels, tires and suspension parts are more susceptible to road hazard and consequential damages. Performance tires not recommended for driving in ice and snow.
⁵ Please visit your authorized BMW center for details on equipment.

Instrumentation and controls	M5 Sedan	M6 Coupe	M6 Convertible
M multi-function leather-wrapped sport steering wheel with SMG paddles, M Drive function and cruise control	●	●	●
M-design instrument cluster with white-illuminated gauges, oil temperature gauge, and variable warning segment on tachometer	●	●	●
Service Interval Indicator	●	●	●
Check Control vehicle monitoring system	●	●	●
Start/Stop button	●	●	●
External temperature display	●	●	●
On-board computer	●	●	●
Navigation system (includes 8.8" screen with 16 x 9 format and Real Time Traffic Information)	●	●	●
Head-up Display with additional M-specific display functions, including speed, dynamic engine speed range, and shift lights ⁶	○	○	○
Voice Command System	●	●	●
Vehicle & Key Memory	●	●	●

Comfort and convenience	M5 Sedan	M6 Coupe	M6 Convertible
Automatic Climate Control with separate left/right temperature and air distribution controls, with automatic air recirculation	●	●	●
3-stage heated front seats	●	●	●
3-stage heated rear seats	○		
Heated steering wheel ⁷	○		
2-way power glass moonroof with remote, expanded "one-touch" operation, anti-trapping feature, and sliding interior sunshade	●		
Reinforced carbon-fiber roof		●	
Fully lined power softtop roof with heated glass rear window			●
Power tilt and telescopic steering wheel with automatic tilt-up	●	●	●
Power windows with key-off and "one touch" up and down operation both front and rear, anti-trapping feature, opening from remote, and closing from exterior lock	●	●	●
Power rear-window sunshade and manual rear side-window sunshades	○		
Remote control key	●	●	●
Comfort Access keyless entry with multi-function remote control	○	○	○
BMW Ambiance Lighting	●	●	●
Interior courtesy lights with automatic dimming function	●	●	●
Front map lights and rear reading lights with separate left/right controls	●	●	●
Dual front sun visors with illuminated mirrors	●	●	●
Ground-illuminating lights in door handles	●	●	●
Integrated 3-button Universal garage-door opener	●	●	●
Heated driver's door lock and rear window defroster	●	●	●
Split fold-down through-load rear seats and ski bag	○		
Ski bag		●	●
Soft-close doors and soft-closing trunk lid feature	○	○	○
Fully finished trunk with tool kit and interior trunk release	●	●	●
Power outlet in trunk, front passenger's footwell and back of center console	●		
Glove compartment with rechargeable take-out flashlight	●	●	●

● Standard
○ Optional

⁶ Not available with green band windshield; M5 with manual transmission will not show gear information or shift lights.

⁷ Available starting with May 2007 production.

Safety and security	M5 Sedan	M6 Coupe	M6 Convertible
Driver's and passenger's front airbag supplemental restraint system (SRS) with "smart" dual-stage and dual-threshold deployment, and sensor to prevent unnecessary passenger's airbag deployment	●	●	●
Front- and rear-seat Head Protection System (AHPS II)	●		
Front-seat Head Protection System (AHPS II)		●	
Rollover Protection System			●
Front-door-mounted side-impact airbags	●	●	●
Automatic front safety belt pretensioners	●	●	●
Rear-seat side-impact airbags and automatic pretensioners on rear outboard safety belts	○		
Automatic locking retractors (ALR) on all safety belts (for installation of child-restraint seats)	●	●	●
Interlocking door anchoring system	●	●	●
BMW's Advanced Safety System for integrated deployment of safety features	●	●	●
Impact sensor that activates Battery Safety Terminal disconnect of alternator, fuel pump and starter from battery	●	●	●
Coded Driveway Protection	●	●	●
Remote keyless entry security alarm system with selective unlocking and double-lock features (programmed at BMW center), remote trunk opening, interior motion detector, and panic feature	●	●	●
Adaptive Brake Lights	●	●	●
BMW Assist™ with Bluetooth® wireless technology for hands-free calling (with Bluetooth-enabled mobile phone), phonebook downloading and speech recognition capabilities	●	●	●

BMW Services	M5 Sedan	M6 Coupe	M6 Convertible
BMW Ultimate Service™	●	●	●
M Driving Experience at the BMW Performance Center in Spartanburg, SC ¹⁰	●	●	●

Stand-alone optional equipment	M5 Sedan	M6 Coupe	M6 Convertible
6-speed manual transmission ¹¹	○	○	○
20-way multi-function front seats with active width adjustment (upholstered in the same color leather, front and back)	○		
Merino Leather upholstery (Full)	○	○	○
Perforated Merino Leather upholstery (Full) (requires optional Ventilated Seats feature and optional multi-function front seats)	○		
Premium Sound audio system with enhanced bass	○	○	○
HD Radio™ can be ordered in combination with Logic7 or Premium Sound audio system	○	○	○
SIRIUS® Satellite Radio ¹²	○	○	○
iPod and USB adaptor (includes cable connector)	○	○	○
Head-up Display with additional M-specific display functions, including speed, dynamic engine speed range, and shift lights ⁸	○	○	○
3-stage heated rear seats	○		
Heated steering wheel ⁹	○		
Power rear-window sunshade and manual rear side-window sunshades	○		
Comfort Access keyless entry with multi-function remote control	○	○	○
Soft-close doors and soft-closing trunk lid feature	○	○	○
Split fold-down through-load rear seats and ski bag	○		
Rear-seat side-impact airbags and automatic pretensioners on rear outboard safety belts	○		

⁸ Not available with green band windshield; M5 with manual transmission will not show gear information or shift lights.

⁹ Available starting with May 2007 production.

¹⁰ For more information on the M Driving Experience at the BMW Performance Driving School, visit bmwusa.com/performancecenter or call toll-free 1-877-996-5999.

¹¹ Steering wheel paddles and DRIVELOGIC center console DSC button are not available with optional manual transmission.

¹² Please visit your authorized BMW center for details on equipment.

Technical data

Weight		M5 Sedan	M6 Coupe	M6 Convertible
Unladen	lb	4012	3909	4398
Weight distribution, front/rear	%	52.2/47.8	53.5/46.5	49.9/50.1

Engine		M5 Sedan	M6 Coupe	M6 Convertible
Liters/cylinders/valves per cylinder		5.0/V-10/4	5.0/V-10/4	5.0/V-10/4
Displacement	cu cm	4999	4999	4999
Bore/Stroke	inch	3.62/2.96	3.62/2.96	3.62/2.96
Nominal output/rpm	hp	500/7750	500/7750	500/7750
Max torque/rpm	lb-ft	383/6100	383/6100	383/6100
Compression ratio	:1	12.0	12.0	12.0

Transmission		M5 Sedan	M6 Coupe	M6 Convertible
7-speed SMG gear ratios	I/II/III	:1	3.99/2.65/1.81	3.99/2.65/1.81
	IV/V/VI	:1	1.39/1.16/1.00	1.39/1.16/1.00
	VII/R	:1	0.83/3.99	0.83/3.99
	Final drive ratio	:1	3.62	3.62
6-speed manual gear ratios	I/II/III	:1	4.06/2.40/1.58	4.05/2.37/1.58
	IV/V/VI/R	:1	1.19/1.00/0.87/3.68	1.19/1.00/0.87/3.68
	Final drive ratio	:1	3.62	3.62

Performance		M5 Sedan	M6 Coupe	M6 Convertible
Drag coefficient	C _d	0.31	0.32	0.34
Top speed ¹	mph	155	155	155
Acceleration 0-60 mph ²	sec	4.5	4.5	4.6

Fuel consumption³		M5 Sedan	M6 Coupe	M6 Convertible
7-speed SMG transmission – City/Highway	mpg	12/18	12/18	12/19
6-speed manual transmission – City/Highway	mpg	12/18	TBD/TBD	TBD/TBD

Tires and Wheels		M5 Sedan	M6 Coupe	M6 Convertible
Tire dimensions (performance tires) ⁴	front	255/40ZR-19	255/40ZR-19	255/40ZR-19
	rear	285/35ZR-19	285/35ZR-19	285/35ZR-19
Wheel dimensions, front/rear		19 x 8.5 / 19 x 9.5	19 x 8.5 / 19 x 9.5	19 x 8.5 / 19 x 9.5
Material		light cast alloy	light cast alloy	light cast alloy

Brakes		M5 Sedan	M6 Coupe	M6 Convertible
Front – diameter	inch	14.7	14.7	14.7
Rear – diameter	inch	14.6	14.6	14.6

Please note: Technical specifications are subject to change without notice.

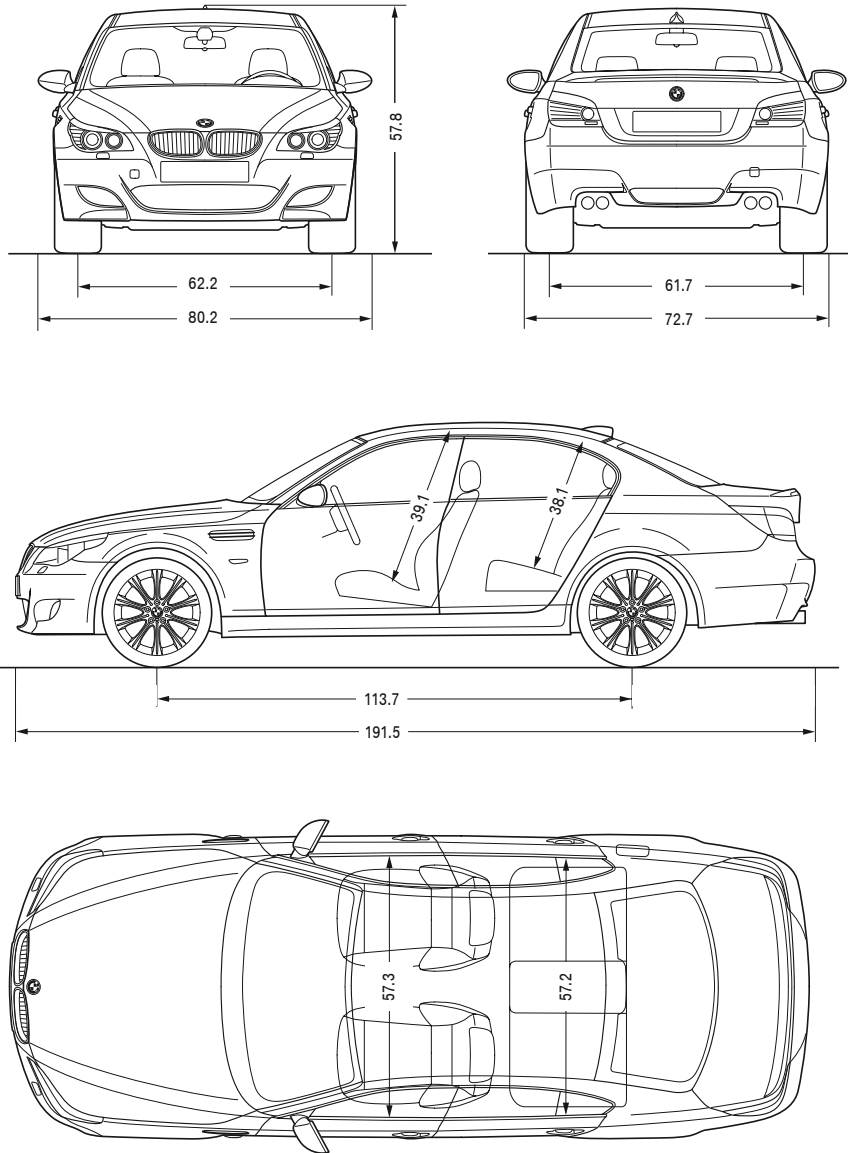
¹Top speed limited electronically.

²BMW AG test results.

³Some fuel consumption figures not available at time of printing. Please go to bmwusa.com for further information. EPA-estimated figures are for comparison purposes only. Your actual mileage will vary, depending on speed, driving habits, trip length and driving conditions; actual mileage may be lower.

⁴Due to low-profile tires, please note: wheels, tires and suspension parts are more susceptible to road hazard and consequential damages. Performance tires not recommended for driving in ice and snow conditions.

M5 Sedan



All dimensions of technical drawings in inches.

BMW and the environment.

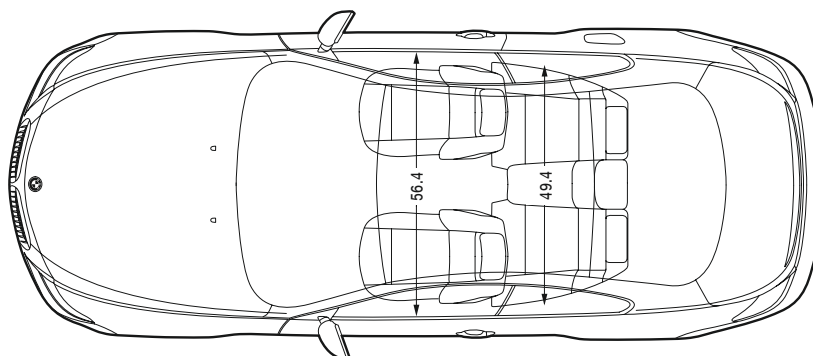
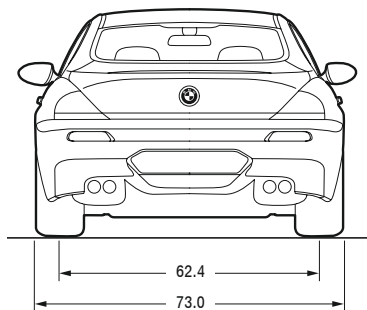
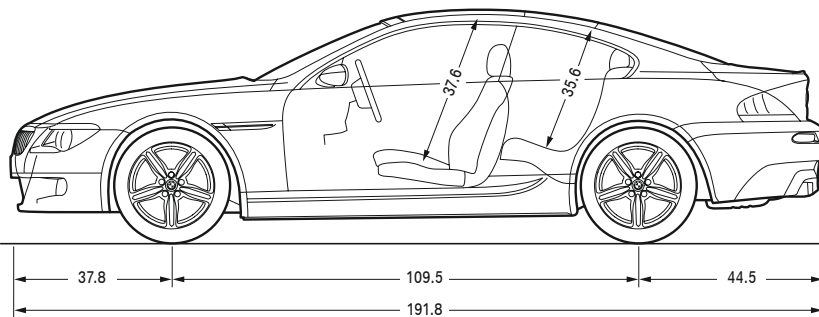
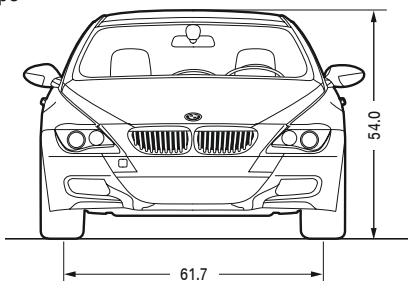
BMW is a strong proponent of the environment and social responsibility. It is important to manage the earth's resources responsibly, and not jeopardize the needs of future generations. That is why BMW makes vehicles that minimize adverse environmental impact, from production (pollution prevention and waste minimization at the plant) through owner use (low emissions) to eventual disposal (easy drainability of all fluid-related components and easy neutralization of all pyrotechnic devices). This effort has been recognized worldwide, and as a result, we are pleased to have received numerous environmental honors. In the U.S., for example, the Environmental Protection Agency accepted BMW's Spartanburg, SC production and manufacturing facility as a charter member of the agency's National Environmental Performance Track. Internationally, BMW AG – the parent company of both BMW of North America and BMW Manufacturing Co., Spartanburg, SC – was the first automotive company to be represented on the Dow Jones Sustainability Group Index, and has remained on the Index ever since. At BMW, we strive for high performance in everything we do.

in colors, materials, equipment, specifications and models. BMW may, subject to legal requirements, determine the Model Year designation of its vehicles. The Model Year designation on any particular model may be longer or shorter than 12 months. Some vehicles pictured may contain non-U.S. equipment. Some models may be shown with optional equipment. While BMW NA makes all reasonable efforts to provide accurate information in this brochure, there is no guarantee or warranty of accuracy. Furthermore, we do not assume any liability for the accuracy or completeness of information presented. This brochure shall not be used or relied upon as a substitute for information that is available from your BMW center. Further information can be obtained from your authorized BMW center or bmwusa.com. ©2007 BMW of North America, LLC. Not to be reproduced wholly or in part without written permission of BMW NA. The BMW name, model names and logo are registered trademarks. The Bluetooth word mark and logos are owned by the Bluetooth SIG, Inc. and any use of such marks by BMW is under license. Other trademarks and trade names are the property of their respective owners.

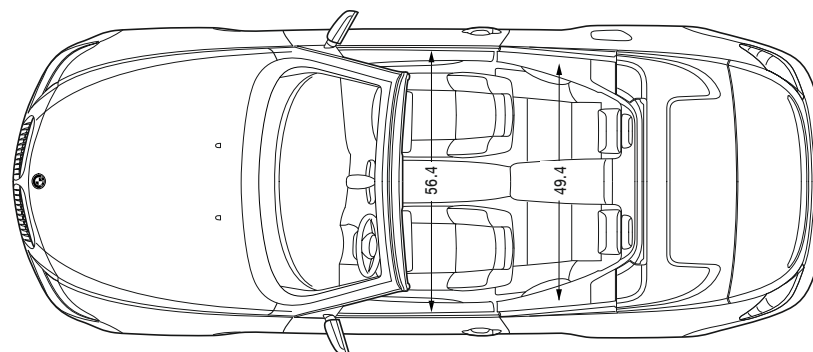
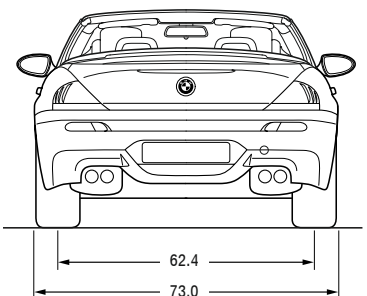
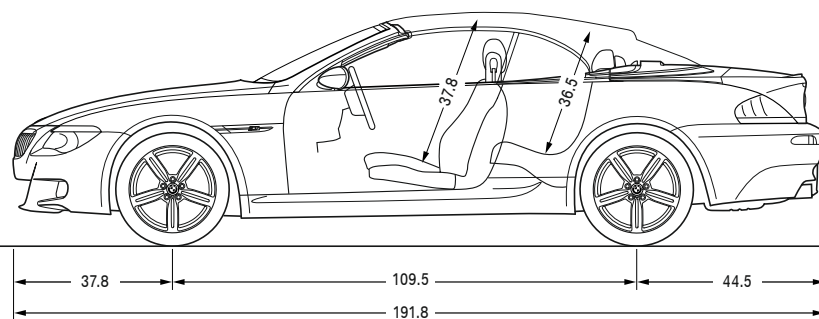
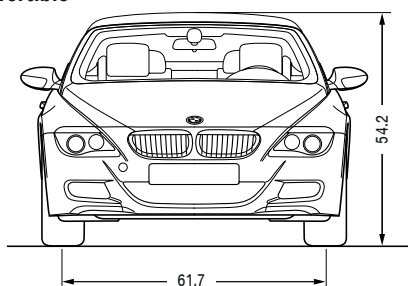
U.S. Importer: BMW of North America, LLC, Woodcliff Lake, NJ 07677. All illustrations and specifications contained in this brochure are based on the latest product information available at the time of printing. BMW reserves the right to make changes at any time, without notice,



M6 Coupe



M6 Convertible



All dimensions of technical drawings in inches.