

2007 BMW X3
Sports Activity
Vehicle®



The Ultimate
Driving Machine®

X3 3.0si





X3: Putting the “sport” in Sports Activity Vehicle.®

Rugged good looks are just the beginning.





D MTT 4313



X3



The look and feel of luxury.



■ **17 x 8.0 Star Spoke (Style 204)** alloy wheels and 235/55R-17 **all-season tires** are standard on the X3 3.0si.



□ **18 x 8.0 Double Spoke (Style 205)** alloy wheels and 235/50R-18 **all-season tires** are available as an option to the standard 17" wheel. (not avail. with Sport Package)



□ **18 x 8.0 Double Spoke (Style 192M)** alloy wheels and 235/50R-18 front and 255/45R-18 rear **all-season tires** are included in the Sport Package.



□ **19 x 8.0 Y Spoke (Style 191M)** alloy wheels and 235/45R-19 front and 255/40R-19 rear **performance tires**¹ are available as an option when ordering the Sport Package.

¹ Due to low-profile tires, please note: wheels, tires and suspension parts are more susceptible to road hazard and consequential damages. Performance tires not recommended for driving in ice and snow conditions.

Sport Package:¹ The X3 3.0si SAV[®] was made for sporty driving. Make the most of its fun-loving capabilities by adding the optional Sport Package. The X3's sport suspension calibration² and 18" wheels with all-season tires enhance its performance characteristics. Its looks become even bolder and more purposeful with a full-body aerodynamic kit, including body-color side skirts and front and rear bumpers; exterior shadowline trim completes the effect. Inside, front sport seats hold you tight in curves as you navigate turns gripping the three-spoke leather-wrapped M Sport steering wheel. And for an even more eye-catching look and heightened performance, optional Y Spoke (Style 191M) 19x9.0 front and 19x9.5 rear alloy wheels with 235/45R-19 front and 255/40R-19 rear performance tires³ are available.

¹ Requires optional Nevada Leather upholstery or Premium Package.

² Note: Sport suspension consists of stiffer springs and anti-roll bars. While these features improve the sporty handling of the X3, they can also create a firmer ride, which may not be acceptable for all customers.

³ Due to low-profile tires, please note: wheels, tires and suspension parts are more susceptible to road hazard and consequential damages. Performance tires not recommended for driving in ice and snow conditions.



Full-body aerodynamic kit emphasizes the X3 SAV's dynamic appearance. The body-color front and rear bumpers and side skirts underscore the purposeful look. (Shown with optional wheel Style 192M.)



18 x 8.0 Double Spoke (Style 192M) alloy wheels and 235/50R-18 front and 255/45R-18 rear all-season tires are included in the Sport Package.



Y Spoke (Style 191M) alloy wheels, 19 x 9.0 front, 19 x 9.5 rear; 235/45R-19 front and 255/40R-19 rear **performance tires**¹ are optional in the X3 (requires Sport Package).



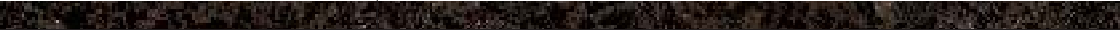
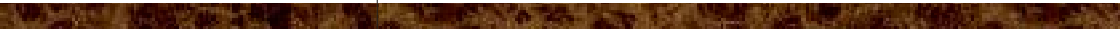

M Sport steering wheel delivers confident grip when taking tight corners, and remains comfortable when driving long distances.

¹Due to low-profile tires, please note: wheels, tires and suspension parts are more susceptible to road hazard and consequential damages. Performance tires not recommended for driving in ice and snow conditions.



Front sport seats are designed to enhance the driving experience. Multiple adjustments add to comfort over long distances; specially bolstered side padding helps hold occupants firmly in place during tight cornering. (Ash Dark Wood trim shown is standard.)

Combinations

Interior colors	Sensatec Leatherette ¹		Nevada Leather ²			
Upholstery color	Sand Beige	Black	Sand Beige	Sand Beige/Black	Gray	Black
Exterior colors						
Non-metallic³ 300 Alpine White	●	●	●	●	●	●
Non-metallic^{3,4} A61 Crimson Red	●	●	●	●	●	●
Non-metallic³ 668 Jet Black	●	●	●	●	●	●
Metallic⁵ 354 Titanium Silver		●		●	●	●
Metallic^{4,5} A53 Platinum Bronze	●	●	●	●	●	●
Metallic⁵ A08 Silver Gray	●	●	●	●	●	●
Metallic⁵ A51 Montego Blue	●	●	●	●	●	●
Metallic⁵ A35 Monaco Blue	●	●	●	●	●	●
Metallic^{4,5} A11 Highland Green	●	●	●	●	●	●
Metallic⁵ 475 Black Sapphire	●	●	●	●	●	●
Interior trims						
4BN Ash Dark Wood ⁶						
4BP Poplar Natural Light Wood ⁷						
4AS Poplar Gray Wood ⁷						

¹ Sensatec Leatherette: Standard. Not available with Premium Package.

² Nevada Leather: Optional. Included in Premium Package.

³ Non-metallic exterior paint: Standard.

⁴ Crimson Red Non-metallic, Platinum Bronze Metallic, Highland Green Metallic: Not available with Sport Package.

⁵ Metallic exterior paint: Optional.

⁶ Ash Dark Wood interior trim: Standard.

⁷ Poplar Natural Light Wood and Poplar Gray Wood interior trim: No-cost option.

The pages in this section of the brochure show available colors and materials for the BMW X3 SAV[®]. Use these samples to compare paint, upholstery and trim colors and combinations. Please note that these samples are representations; they are not exact

reproductions. To see the actual colors, visit your local BMW center. They will be happy to show you original samples and assist you with special requests.

Equipment

Performance and efficiency	X3 3.0si
3.0-liter dual overhead cam (DOHC), 260-horsepower, 24-valve inline 6-cylinder engine with composite magnesium/aluminum engine block, Valvetronic, and Double-VANOS steplessly variable valve timing	●
Electronic throttle control	●
Dual resonance intake system	●
6-speed manual transmission	●
6-speed STEPTRONIC automatic transmission with Adaptive Transmission Control ¹	○

Handling, ride and braking	X3 3.0si
xDrive all-wheel-drive system	●
Dynamic Stability Control (DSC), including Brake Drying, Brake Stand-by, Start-off Assistant and Brake Fade Compensation	●
Hill Descent Control (HDC)	●
Engine-speed-sensitive power steering	●
Servotronic vehicle-speed-sensitive power steering	○
Unitary body structure with independent suspension	●
Gas-pressure shock absorbers	●
Front and rear anti-roll (stabilizer) bars	●
4-wheel ventilated anti-lock disc brakes with Dynamic Brake Control	●
Sport suspension calibration ²	□

Exterior	X3 3.0si
17 x 8.0 Star Spoke (Style 204) alloy wheels, 235/55R-17 all-season tires	●
18 x 8.0 Double Spoke (Style 205) alloy wheels, 235/50R-18 all-season tires ³	○
18 x 8.0 Double Spoke (Style 192M) alloy wheels, 235/50R-18 all-season tires	□
Y Spoke (Style 191M) alloy wheels, 19 x 9.0 front, 19 x 9.5 rear; 235/45R-19 front, 255/40R-19 rear performance tires ⁴	○
Space-saver spare wheel and tire	●
Xenon Adaptive Headlights with auto-leveling, and Corona light-rings	○
Halogen free-form foglights	●
Retractable headlight washer system	★
Door handles in matching body color	●
Full body-color aerodynamic kit with painted side skirts	□
Shadowline exterior trim	□
Privacy glass	○
Roof rails	●
Metallic paint	○
Chrome tail pipes	●
Power-folding exterior mirror with automatic-dimming feature	◇

- Standard
- Optional
- Included in Sport Package
- ◇ Included in Premium Package
- ★ Included in Cold Weather Package

¹ No-cost option.

² Note: Sport suspension consists of stiffer springs and anti-roll bars. While these features improve the sporty handling of the X3, they can also create a firmer ride, which may not be acceptable for all customers.

³ Not available with Sport Package.

⁴ Sport Package required. Due to low-profile tires, please note: wheels, tires and suspension parts are more susceptible to road hazard and consequential damages. Performance tires not recommended for driving in ice and snow conditions.

Equipment

Interior seating	X3 3.0si
8-way power adjustable front seats with 2-way manual headrests, and driver seat and mirror memory	●
8-way power adjustable front sport seats with 2-way manual thigh support ⁵	□
Comfort seats, including power lumbar support, headrests and two-way upper backrest angle adjustment ^{6,7}	○
4-way lumbar support for front seats	◇
Sensatec Leatherette upholstery	●
Nevada Leather upholstery	○/◇
Ash Dark Wood interior trim	●
Poplar Natural Light Wood interior trim	▲
Poplar Gray Wood interior trim	▲
Heated front seats	○/★
Heated rear seats	★
3-spoke leather-wrapped multi-function steering wheel with fingertip cruise control	●
3-spoke leather-wrapped multi-function M Sport steering wheel	□
Heated steering wheel ⁶	○
Front center console armrest	●
Storage nets on front seatbacks, in front passenger footwell and luggage compartment; two aluminum fastening cargo rails and slip-proof reversible flooring in rear cargo compartment	●
Split 60/40 fold-down rear seats	●
Ski bag ⁸	★

Comfort and convenience	X3 3.0si
Vehicle & Key Memory	●
Remote entry, including 2-step unlocking and remote tailgate release	●
Automatic climate control with micro-filter and air recirculation	●
Panoramic moonroof with fully automatic, two-piece glass panels, power slide and lift control, trap release, wind deflector and power interior sunshade	●
Tilt/telescopic steering wheel column	●
Park Distance Control (PDC), front and rear	○
Rain-sensing windshield wipers with Automatic Headlight Control	●
Automatic-dimming inside rear-view mirror with digital compass	◇
Power front windows with "one-touch" up/down operation; power rear windows with "one-touch" down	●
Front/rear map-reading, footwell and visor-mirror lights	●
Locking glovebox with rechargeable take-out flashlight	●
Dual cupholders	●
Retractable cargo net	○
Bluetooth [®] wireless technology ⁹ for hands-free calling, capable of downloading virtually an entire phonebook using BMW-approved Bluetooth technology enabled mobile phones ¹⁰	○/◇
Pre-wiring for cellular phone, integrated garage-door opener, and satellite radio	●
BMW Universal transceiver (garage door opener)	◇

- Standard
- Optional
- Included in Sport Package
- ◇ Included in Premium Package
- ★ Included in Cold Weather Package
- ▲ No-cost option
- △ BMW center-installed accessory

⁵ Requires optional Nevada Leather upholstery.

⁶ Not available with Sport Package.

⁷ Comfort seats not available with Sensatec Leatherette upholstery.

⁸ Upon BMW X3 SAV[®] delivery, the ski bag is detached and stored beneath the load floor in the rear cargo area.

⁹ Included with Premium Package or BMW Assist[™].

¹⁰ Please contact your authorized BMW center for a list of BMW-approved Bluetooth technology enabled mobile phones.

Equipment

Audio system	X3 3.0si
Anti-theft AM/FM stereo/CD/MP3 audio system with 8 speakers, Radio Data System (RDS), Auto-Store, 3-channel FM diversity antenna system and auxiliary audio input adapter compatible with portable music players; pre-wired for 6-disc CD changer ¹¹ and satellite radio ¹¹	●
Premium sound with DSP (Digital Sound Processor) AM/FM stereo/CD/MP3 audio system with 8 upgraded speakers, upgraded amplification, vehicle-speed-sensitive equalization, and auxiliary audio input adapter compatible with portable music players; pre-wired for 6-disc CD changer ¹¹ and satellite radio ¹¹	○
Auxiliary input	●
SIRIUS Satellite Radio ¹²	△
HD Radio™ – receive free, digital AM/FM broadcasts in clear, static-free quality sound; “multicast” FM stations; and innovative data services; can be ordered in combination with optional Premium Sound audio system	○

Instrumentation and controls	X3 3.0si
Service Interval Indicator with miles-to-service readout	●
Check Control vehicle monitor system with pictogram display	●
Tire Pressure Monitor	●
4-function on-board computer	●
Navigation system with 16:9 display and folding monitor	○

Safety and security	X3 3.0si
Automatic Differential Brake (ADB-X)	●
Head Protection System (HPS), front and rear	●
Driver’s and passenger’s front airbag supplemental restraint system (SRS) with “smart” dual-threshold, dual-stage deployment and sensor to help prevent unnecessary passenger’s airbag deployment	●
Adaptive Brake Lights	●
Front-door-mounted side-impact airbags	●
Rear-door-mounted side-impact airbags	○
BMW’s Advanced Safety System for integrated deployment of passive and active safety features	●
Automatic-locking retractors (ALR) on all passenger safety belts (for installation of child restraint seats)	●
Latch for child-restraint safety seat installation	●
Battery Safety Terminal	●
Central locking system with center console switch (leaves gas filler door unlocked), double-lock feature and 2-step unlocking	●
Coded Driveway Protection	●
Front safety belts with automatic pretensioners and force limiters	●
Crash sensor that automatically turns on hazard lights and interior lights, and unlocks doors	●
Daytime running lights (via Vehicle Memory system – programmed at BMW SAV® center)	●
Pre-wiring for alarm system	●
BMW Assist™ (4 years of service) with Bluetooth® integrated wireless communication system	○/◇

BMW Services	X3 3.0si
BMW Ultimate Service™	●

- Standard
- Optional
- Included in Sport Package
- ◇ Included in Premium Package
- ★ Included in Cold Weather Package

¹¹ Available as an accessory.

¹² For additional information, please visit your authorized BMW SAV® Center.

Equipment

Premium Package	X3 3.0si
Automatic-dimming inside rear-view mirror with digital compass	◇
Automatic-dimming power folding side-view mirrors	◇
BMW Universal transceiver (garage door opener)	◇
BMW Assist™ (4 years of service) with Bluetooth® integrated wireless communication system ¹³	◇
Nevada Leather upholstery	◇
4-way lumbar support for front seats	◇

Sport Package ¹⁴	X3 3.0si
18 x 8.0 Double Spoke (Style 192M) alloy wheels, 235/50R-18 all-season tires	□
Y Spoke (Style 191M) alloy wheels, 19 x 9.0 front, 19 x 9.5 rear; 235/45R-19 front, 255/40R-19 rear performance tires ¹⁵	○
8-way power adjustable front sport seats with 2-way manual thigh support	□
3-spoke leather-wrapped multi-function M Sport steering wheel	□
Sport suspension calibration ¹⁶	□
Full body-color aerodynamic kit with painted side skirts	□
Shadowline exterior trim	□

Cold Weather Package	X3 3.0si
Ski bag ¹⁷	★
Heated front seats	★
Heated rear seats	★
Retractable headlight washer system	★

- Optional
- Included in Sport Package
- ◇ Included in Premium Package
- ★ Included in Cold Weather Package
- △ BMW center-installed accessory

¹³ Please contact your authorized BMW center for a list of BMW-approved Bluetooth technology enabled mobile phones.
¹⁴ X3 3.0si Sport Package requires optional Nevada Leather upholstery or Premium Package.
¹⁵ Sport Package required. Due to low-profile tires, please note: wheels, tires and suspension parts are more susceptible to road hazard and consequential damages. Performance tires not recommended for driving in ice and snow conditions. Spare is a space-saver wheel and tire.
¹⁶ Note: Sport suspension consists of stiffer springs and anti-roll bars. While these features improve the sporty handling of the X3, they can also create a firmer ride, which may not be acceptable for all customers.
¹⁷ Upon BMW X3 SAV® delivery, the ski bag is detached and stored beneath the load floor in the rear cargo area.

Equipment

Stand-alone Optional Equipment	X3 3.0si
6-speed STEPTRONIC automatic transmission with Adaptive Transmission Control ¹⁸	○
Servotronic vehicle-speed-sensitive power steering	○
18 x 8.0 Double Spoke (Style 205) alloy wheels, 235/50R-18 all-season tires ¹⁹	○
Y Spoke (Style 191M) alloy wheels, 19 x 9.0 front, 19 x 9.5 rear; 235/45R-19 front, 255/40R-19 rear performance tires ²⁰	○
Xenon Adaptive Headlights with auto-leveling, adaptive light control and Corona light-rings	○
Privacy glass	○
Metallic paint	○
Nevada Leather upholstery	○
Comfort seats ^{19,21}	○
Poplar Natural Light Wood trim ^{18,22}	○
Poplar Gray Wood trim ^{18,22}	○
Heated front seats	○
Heated steering wheel ¹⁹	○
Park Distance Control (PDC), front and rear	○
Retractable cargo net	○
Premium sound with DSP (Digital Sound Processor) AM/FM stereo/CD/MP3 audio system with 8 upgraded speakers, upgraded amplification, vehicle-speed-sensitive equalization, and auxiliary audio input adapter compatible with portable music players; pre-wired for 6-disc CD changer ²³ and satellite radio ²³	○
HD Radio™ – receive free, digital AM/FM broadcasts in clear, static-free quality sound; “multicast” FM stations; and innovative data services; can be ordered in combination with optional Premium Sound audio system	○
Navigation system with 16:9 display and folding monitor	○
Rear-door-mounted side-impact airbags	○
BMW Assist™ (4 years of service) with Bluetooth® integrated wireless communication system ^{14,15}	○

Accessories	X3 3.0si
CD changer (6-disc)	△
Alarm system	△
Floor mats	△
Bicycle rack that attaches to cargo rails	△
Trailer hitch ²⁴	△
Aerodynamic components	△
iPod Seamless Integration System ²⁵	△
SIRIUS Satellite Radio ²⁵	△

All optional equipment listed is factory-installed.
For additional requests see the extensive catalog of accessories at your BMW center.

¹⁸ No-cost option.

¹⁹ Not available with Sport Package.

²⁰ Sport Package required. Due to low-profile tires, please note: wheels, tires and suspension parts are more susceptible to road hazard and consequential damages. Performance tires not recommended for driving in ice and snow conditions.

²¹ Not available with Sensatec Leatherette upholstery.

²² Ash Dark Wood trim is standard.

²³ Available as an accessory.

²⁴ Please view X3 Owner's Manual for towing guidelines.

²⁵ For additional information, please visit your authorized BMW SAV® center.

Technical data

Weight		X3 3.0si
Unladen	lbs	4012 (4067)
Weight distribution, front/rear		
Manual transmission	%	50.8/49.2
Automatic transmission	%	50.9/49.1

Engine		X3 3.0si
Liter/type		3.0/inline 6
Bore/stroke	inch	3.35/3.46
Nominal output/rpm	hp	260/6600
Max torque/rpm	lb-ft	225/2750
Compression ratio	:1	10.7
Fuel grade		Unleaded premium

Transmission		X3 3.0si
Manual gear ratios		
I/II/III	:1	4.35/2.50/1.66
IV/V/VI/R	:1	1.23/1.00/0.85/3.93
Final drive ratio	:1	3.73
Automatic gear ratios		
I/II/III	:1	4.07/2.37/1.55
IV/V/VI/R	:1	1.16/0.85/0.67/3.20
Final drive ratio	:1	4.44

Performance		X3 3.0si
Drag coefficient	Cd	0.35
Top speed ¹	mph	130/143 ² (130/142 ²)
Acceleration 0-60 mph ³	sec	6.9(7.1)
Fuel consumption ⁴		
6-speed manual transmission		
City/Highway	mpg	18/26
6-speed automatic transmission		
City/Highway	mpg	19/26

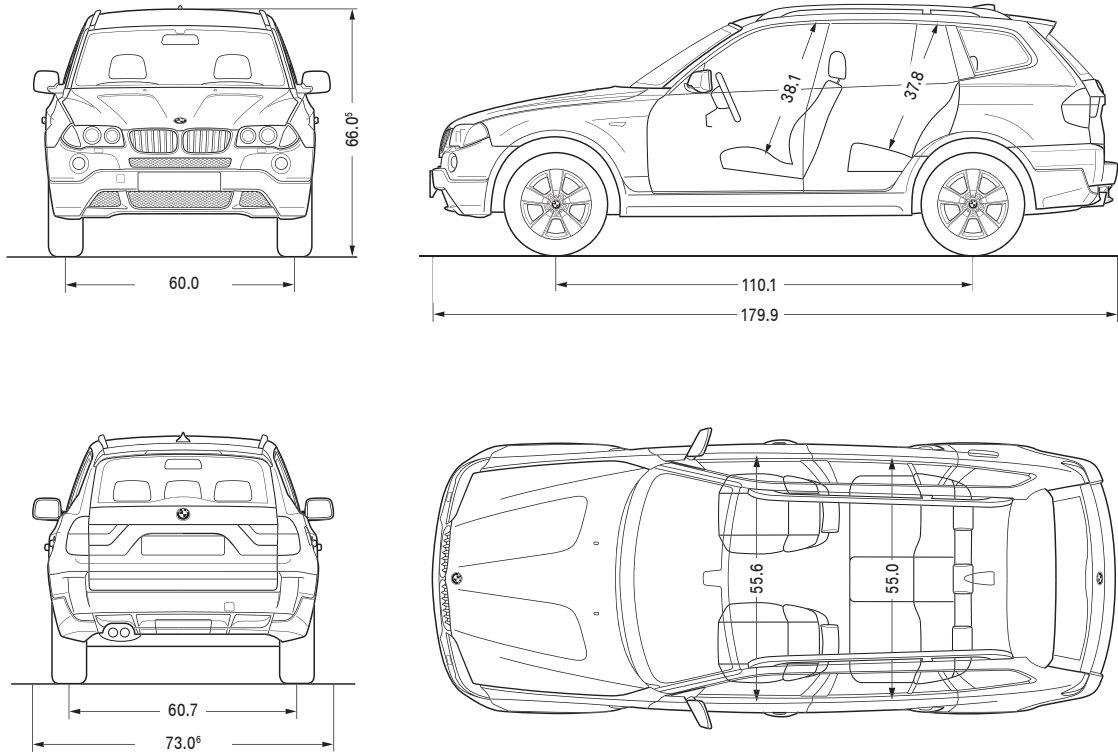
General		X3 3.0si
Maximum payload	lbs	1036
Gross Vehicle Weight Rating – GVWR	lbs	5049 (5104)
Roof load limit	lbs	165
Breakover angle @ curb weight	°	18°
Angle of approach @ curb weight	°	24°
Angle of departure @ curb weight	°	21.9°
Ground clearance	inch	8.0
Fording ability	inch	19.7
EPA cargo volume with rear seats folded down	cu ft	71

Figures in () apply to vehicles with automatic transmission.

Technical data

Wheels		X3 3.0si
Tire dimensions	(standard)	235/55R-17 all-season
Wheel dimensions	(standard)	17x8.0
Material		Cast alloy
Tire dimensions	(Sport Package)	235/50R-18 all-season
Wheel dimensions	(Sport Package)	18x8.0
Material		Cast alloy

Brakes		X3 3.0si
Front Type/Diameter	inch	Ventilated disc/12.8
Rear Type/Diameter	inch	Ventilated disc/12.6



All dimensions are shown in inches.

¹ Top speed limited electronically.

² With optional Y Spoke (Style 191M) alloy wheels and performance tires; requires Sport Package.

³ BMW AG test results. Actual acceleration results may vary, depending on specification of vehicle; road and environmental conditions; testing procedures and driving style. These results should be used for comparison only and verification should not be attempted on public roads.

BMW urges you to obey all posted speed laws and always wear safety belts.

⁴ EPA-estimated figures are for comparison purposes only. Your actual mileage will vary, depending on speed, driving habits, trip length and driving conditions; actual mileage will most likely be lower.

⁵ Includes antenna.

⁶ Measurement does not include vehicle side-view mirrors.

U.S. Importer: BMW of North America, LLC, Woodcliff Lake, NJ 07677. All illustrations and specifications contained in this brochure are based on the latest product information available at the time of printing. BMW reserves the right to make changes at any time, without notice, in colors, materials, equipment, specifications and models. BMW may, subject to legal requirements, determine the Model Year designation of its vehicles. The Model Year designation on any particular model may be longer or shorter than 12 months. Some vehicles pictured may contain non-U.S. equipment. Some models may be shown with optional equipment. While BMW NA makes all reasonable efforts to provide accurate information in this brochure, there is no guarantee or warranty of accuracy. Furthermore, we do not assume any liability for the accuracy or completeness of information presented. This brochure shall not be used or relied upon as a substitute for information that is available from your BMW center. Further information can be obtained from your authorized BMW center or bmwusa.com.

©2007 BMW of North America, LLC. Not to be reproduced wholly or in part without written permission of BMW NA. The BMW name, model names and logo are registered trademarks. SAV and Sports Activity Vehicle are the registered trademarks for BMW light trucks.